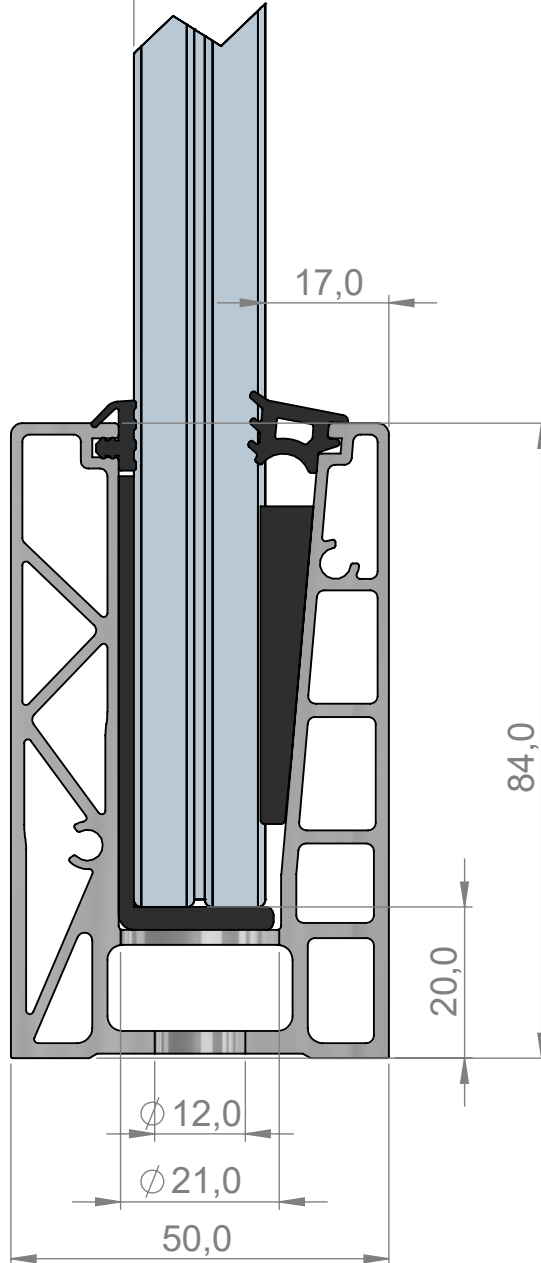


Glas
Vetro
glass



17,0

84,0

20,0

$\varnothing 12,0$

$\varnothing 21,0$

50,0